

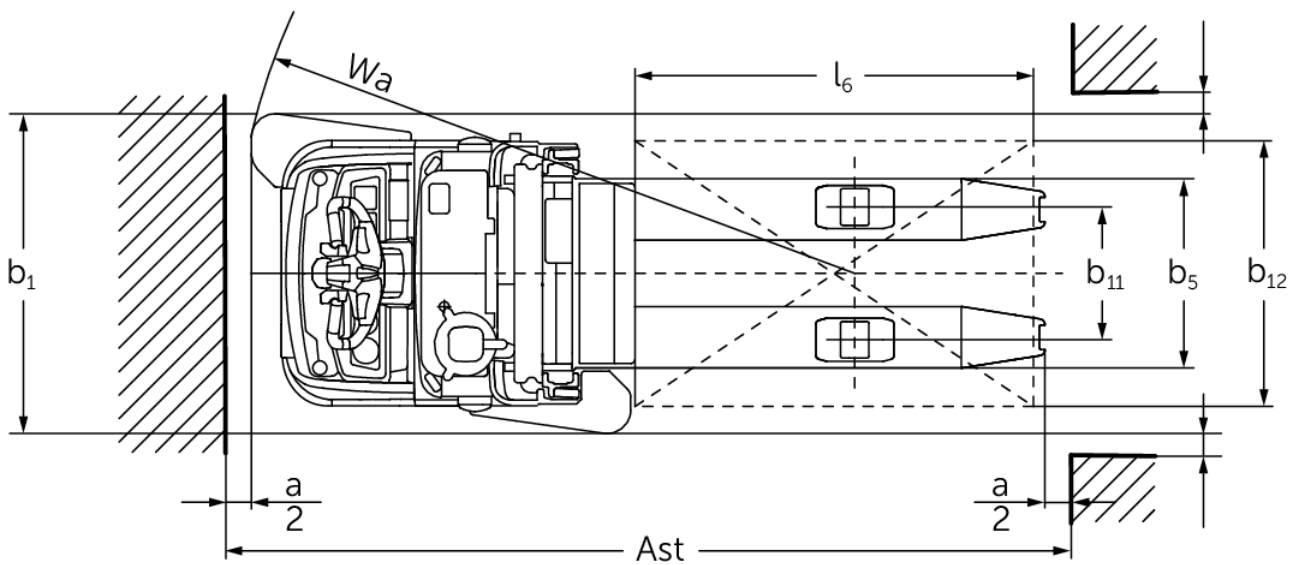
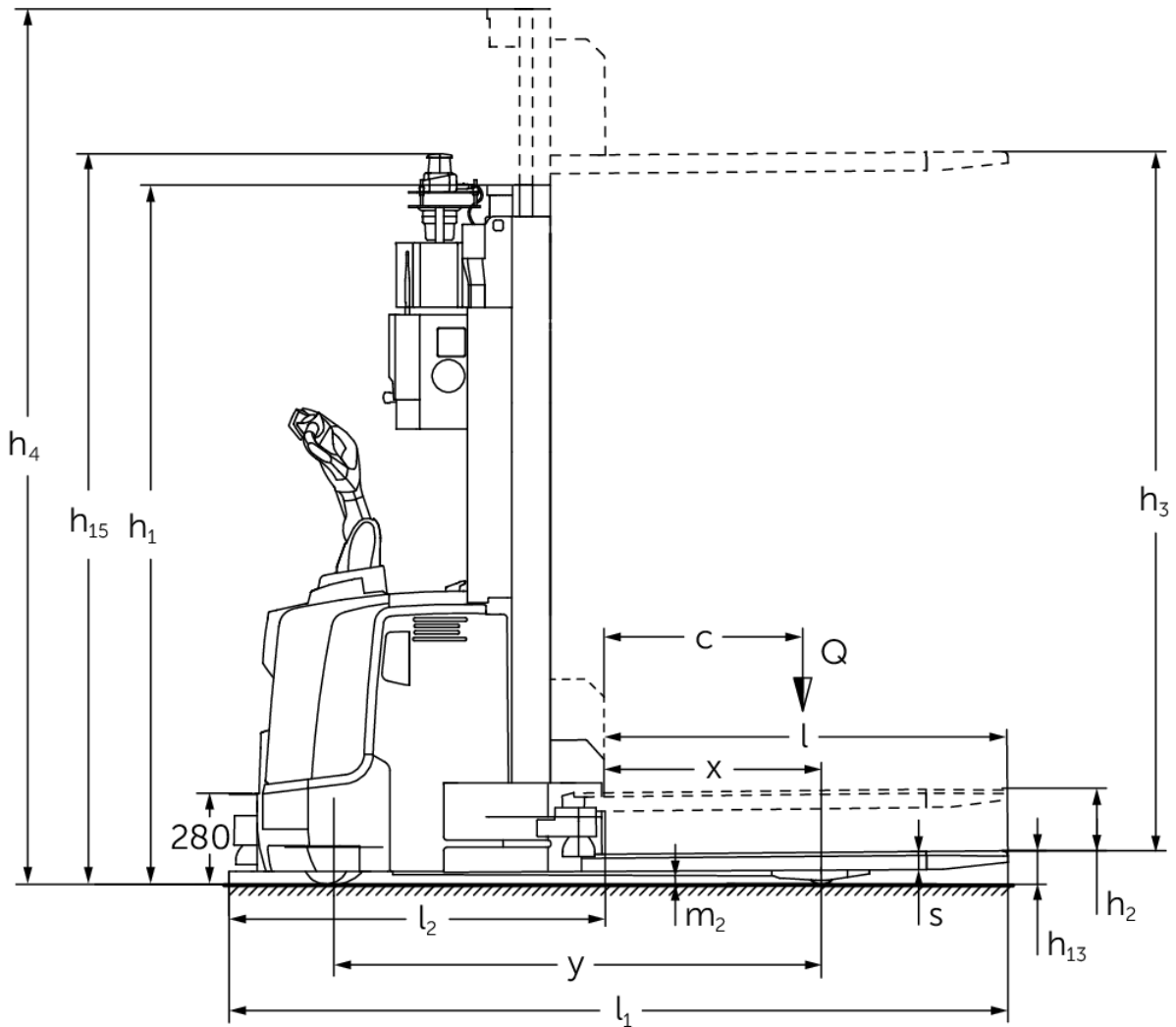


# **Automated Guided Vehicle System Pedestrian Pallet Truck**

## **ERC 213a**

**Lift height: 3100-4400 mm / Capacity: 1300 kg**

# ERC 213a



# ERC 213a

ERC 213a	Lift (h3)	Retracted mast height (h1)	Free lift (h2)	Extended mast height (h4)
Duplex mast ZT	3100 mm	2150 mm	200 mm	3625 mm
	3800 mm	2500 mm	200 mm	4325 mm
	4400 mm	2750 mm	200 mm	4925 mm

# VDI table

Stand-on: 01/2020

Characteristic	1.1	Manufacturer (abbreviated description)		Jungheinrich	
	1.2	Manufacturer's type designation		<b>ERC 213a</b>	
	1.4	Operation		Automatic high-rack stacker	
	1.5	Capacity/load	Q	kg	1.300
	1.6	Load centre distance	c	mm	600
	1.8	Load distance, centre of drive axle to fork	x	mm	667
	1.9	Wheelbase	y	mm	1.496
Weights	2.1.1	Service weight (incl. battery)		kg	1.410
	2.2	Axle load laden front/rear		kg	1.060 / 1.650
	2.3	Axle load unladen front/rear		kg	985 / 425
Wheels/suspension system	3.1	Tyres			PU
	3.2	Tyre size, front			Ø 230 x 77
	3.3	Tyre size, rear			Ø 85 x 110
	3.4	Additional wheels			Ø 140 x 54
	3.5	Wheels, number front/back (x=driven)			1x + 1 / 2
	3.7	Tread width, rear	b <sub>11</sub>	mm	400
Basic dimensions	4.2	Retracted mast height (h1)	h <sub>1</sub>	mm	2.150
	4.2.1	Overall height	h <sub>15</sub>	mm	2.280
	4.4	Lift (h3)	h <sub>3</sub>	mm	3.100
	4.5	Extended mast height (h4)	h <sub>4</sub>	mm	3.625
	4.15	Height, lowered	h <sub>13</sub>	mm	90
	4.19	Overall length	l <sub>1</sub>	mm	2.389
	4.20	Length including fork shank	l <sub>2</sub>	mm	1.152
	4.21	Overall width	b <sub>1</sub> /b <sub>2</sub>	mm	965
	4.22	Fork dimensions	s/e/l	mm	56 / 185 / 1.235
	4.25	Width across forks (dimension 1), WaF	b <sub>5</sub>	mm	570
	4.35	Turning radius	W <sub>a</sub>	mm	1.865
Performance data	5.1	Travel speed laden/unladen		km/h	7 / 7
	5.2	Lift speed laden/unladen		m/s	0.15 / 0.30
	5.3	Lowering speed laden/unladen		m/s	0.45 / 0.35
	5.10	Service brake			generative
E-motor/ Electronics	6.1	Drive motor, performance S2 60 min		kW	2.8
	6.2	Lift motor, performance with S3		kW	3
	6.3	Battery according to DIN 43531/35/36			B 3 PzS
	6.4	Battery voltage / nominal capacity		V / Ah	24 / 375
	6.5	Battery weight		kg	273
Miscellaneous	8.1	Type of drive control			AC speedCONTROL
	10.7	Sound level as per EN12053, operator's ear		dB (A)	64

- In accordance with VDI Guideline 2198 this data sheet provides details of the standard truck only. Non-standard tyres, different masts, optional equipment, etc. may result in different values.

The German production facilities in  
Norderstedt, Moosburg and Landsberg  
are certified.

ISO 9001  
ISO 14001

Jungheinrich fork lift trucks meet  
European safety requirements.



 **JUNGHEINRICH**

The logo features a red upward-pointing arrow integrated into the letter 'J' of the word 'JUNGHEINRICH', which is written in a bold, black, sans-serif font.