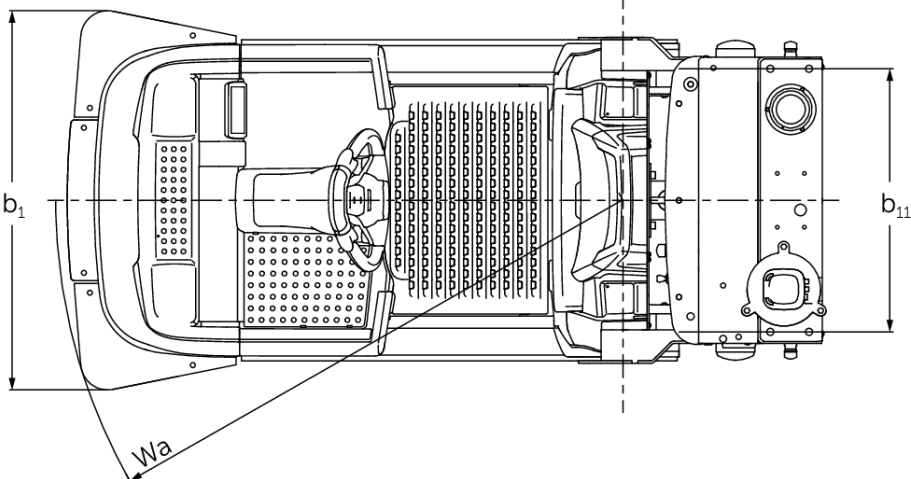
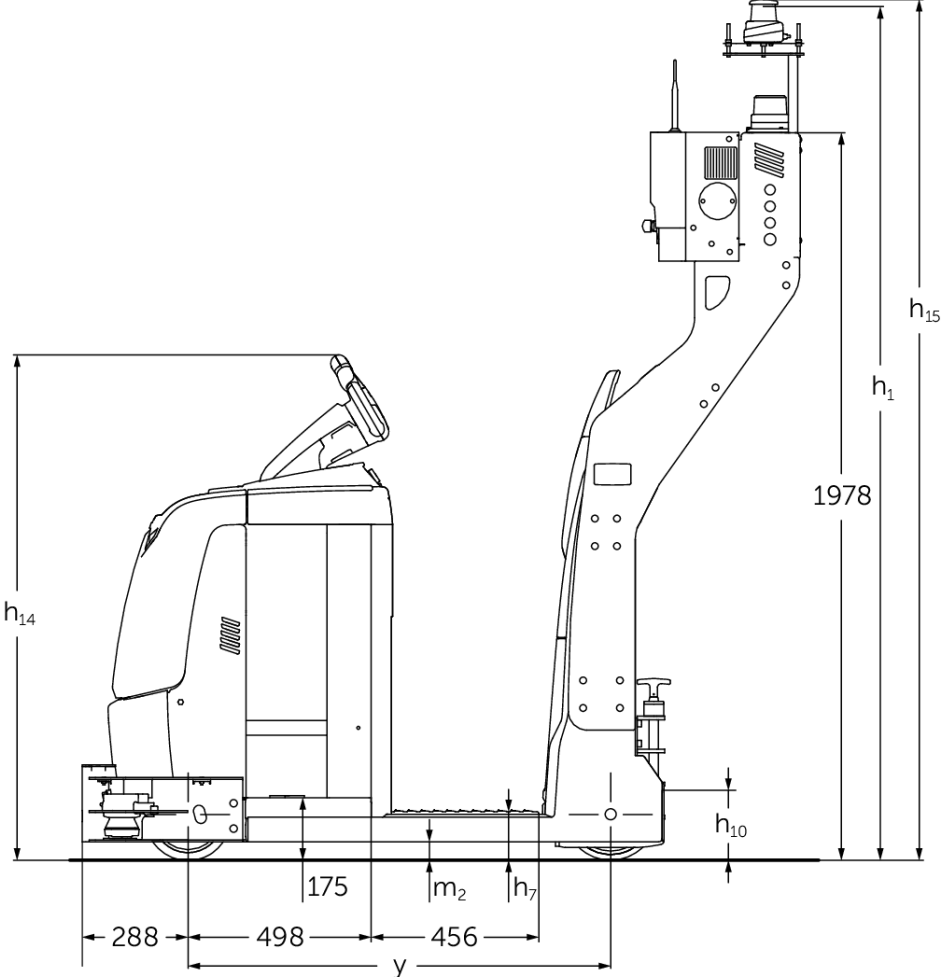




EZS 350a

Load capacity: 5000 kg

EZS 350a



VDI table

Mark	1.1	Manufacturer (short name)		Jungheinrich	
	1.2	Type symbol of the manufacturer		EZS 350a	
	1.3	Drive		electric	
	1.4	Service		AGV	
	1.5	Capacity / load	Q	kg	5.000
	1.9	Wheelbase	y	mm	1.149
Weights	2.1.1	Dead weight (including battery)		kg	1.333
	2.3	Axle load without load front / rear		kg	594 / 739
Wheels / Suspension	3.1	Tires			Vu
	3.2	Tire size, front			ø230 x 77
	3.3	Tire size, rear			ø250 x 80
	3.5	Wheels, number front / rear (x = driven)			1x/2
	3.7	Gauge, rear	b ₁₁	mm	680
Basic dimensions	4.2.1	Total height	h ₁₅	mm	2.273
	4.19	Overall length	l ₁	mm	1.962
	4.21	Overall width	b ₁ /b ₂	mm	980
	4.35	Turning radius	W _a	mm	1.466
Performance data	5.1	Driving speed with / without load		km/h	8 / 12.5
	5.10	Service brake			A generator
Electric motor / Electronics	6.1	Traction motor, power S2 60 min		kW	2.8
	6.4	Battery voltage / nominal capacity		V / Ah	24 / 620
	6.5	Battery weight		kg	460
Miscellaneous	8.1	Type of driving control			AC speedCONTROL
	10.7	Sound pressure level according to EN12053, driver's tube		dB (A)	66

- 4.12: other coupling heights available - 4.19: without option S3000, without coupling - 5.1: in manual operation. See diagram - 5.5: Rated drawbar pull

The German production facilities in
Norderstedt, Moosburg and Landsberg
are certified.

ISO 9001
ISO 14001

Jungheinrich fork lift trucks meet
European safety requirements.



 **JUNGHEINRICH**

The Jungheinrich logo, featuring a red upward-pointing arrow integrated into the letter 'J', followed by the brand name 'JUNGHEINRICH' in a bold, black, sans-serif font.